

General Description

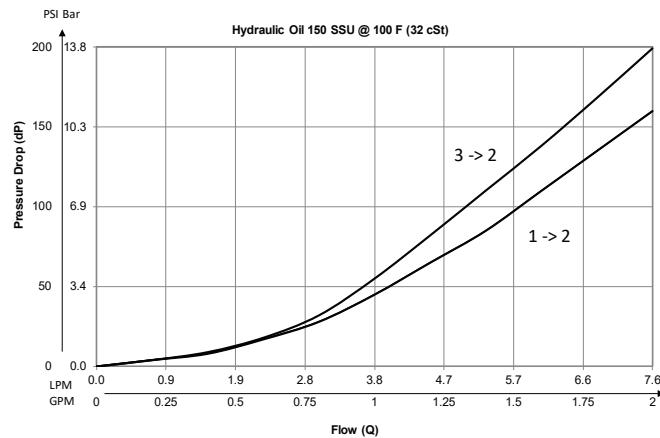
Cartridge Style Shuttle Valve.
 For additional information see Technical Tips on page SH2.

Features

- Hardened working parts for maximum durability
- Rapid response to load direction changes
- All external parts zinc plated

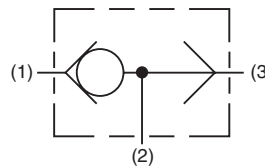
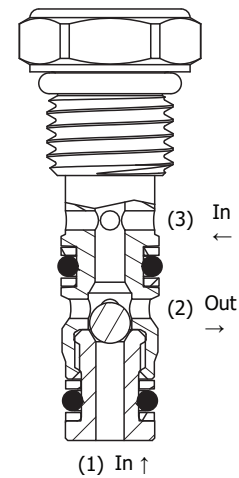
Performance Curve

Pressure Drop vs. Flow (Through cartridge only)

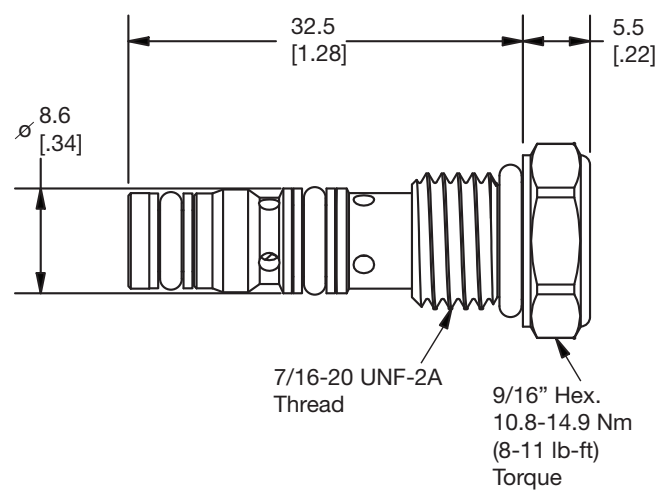


Specifications

Rated Flow	3.8 LPM (1 GPM)
Maximum Pressure Inlet	345 Bar (5000 PSI)
Leakage at 150 SSU (32cSt)	5 drops/min. (0.33 cc/min.)
Cartridge Material	All parts steel. All operating parts, hardened steel.
Operating Temp. Range/Seals	-34°C to +121°C (Nitrile, Buna-N) (-30°F to +250°F) -26°C to +204°C (Fluorocarbon) (-15°F to +400°F)
Fluid Compatibility/Viscosity	Mineral-based or synthetic with lubricating properties at viscosities of 45 to 2000 SSU (6 to 420 cSt)
Filtration	ISO-4406 18/16/13, SAE Class 4
Approx. Weight	0.2 kg (0.04 lbs.)
Cavity	C04-3 (See BC Section for more details)



Dimensions



Ordering Information

CSH041
 04 Size Shuttle Valve

Highlighted represents preferred options that offer the shortest lead times. Other options may be available, but at extended lead times.

Code	Seals
Omit	Nitrile

Order Bodies Separately
 See section BC

B04	-	3	-	4T
04 size		3-Way Cavity		Port Size

Kit	Part Number
Nitrile Seal	SK04-3
Fluorocarbon Seal	SK04-3V

Code	Porting / Body Material
4T	SAE-8 / Steel (5000 PSI)

CV
Check Valves
SH
Shuttle Valves
LM
Load/Motor Controls
FC
Flow Controls
PC
Pressure Controls
LE
Logic Elements
DC
Directional Controls
SV
Solenoid Valves
PV
Proportional Valves
CE
Coils & Electronics
BC
Bodies & Cavities
TD
Technical Data